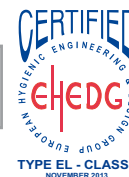




## Hygienic Centrifugal pumps



### CSA Series

CSA series pumps are designed, tested and approved to EHEDG (European Hygienic Engineering & Design Group) hygiene protocols and to US 3A standards. Used mainly in the foodstuffs and pharmaceutical industries, they fulfil the highest sanitary requirements.

The modular construction enables C.S.F. to provide the most suitable pump. Optimised performance and low NPSH requirements are integral to the design of CSA Series pumps.

#### Standard design

Open impeller.

Wetted parts in CF-3M 1.4404 / AISI 316L stainless steel, investment cast and electro-chemically polished.

Special internal finish to 0,8 micron Ra.

Adjustable stainless steel feet.

Flow rates up to 300 m<sup>3</sup>/h, heads up to 100 m (10 bar); low NPSH requirements.



## Sanitary Self-Priming Pumps



n° 02 - 11 739

### ASH series

ASH Series pumps are approved to the latest US 3A sanitary standards; ideal for systems where compliance to the most strict hygiene regulations is essential.

The ability of ASH pumps to repeatedly create a vacuum makes them ideal for applications where air or gas is entrained in the pumped liquid – Perfect for CIP scavenge and duties where the inlet pipework is only partially filled with fluid, including foaming products.

Manufactured for a wide range of requirements in the food, beverage and pharmaceutical process sector. This market leading design includes the latest technologies and construction materials.

#### Standard design

Wetted parts in CF-3M 1.4404 / AISI 316L stainless steel. Investment cast and electro-chemically polished.

Special internal finish 0,8 micron Ra.

Adjustable stainless steel feet.

Flow rates up to 40 m<sup>3</sup>/h, heads up max. 35 m (3,5 bar) (50 Hz).



# CSA series

Closed coupled sanitary centrifugal pumps with open impeller and independent shaft support.

Suitable for motors in compliance with the following standards:  
 IEC 34-1  
 VDE 0530T1  
 NF C51-111  
 BS5000 PART 99  
 NEMA NG1 PART. I

Greased lubricated bearings.  
 Clamp design casing and seal. Easy disassembly, quick inspection, cleaning and maintenance. Rotation of the delivery port for optimised installation.



## CSA SERIES CERTIFIED TO EHEDG / 3A

### Seals:

Single external mechanical seal  
 Double flushed (axial + radial) mechanical seal

## CSA SERIES CERTIFIED TO 3A

### Seals:

Protected and balanced internal mechanical seal with seats according to EN 12756, ISO 3069 standards.

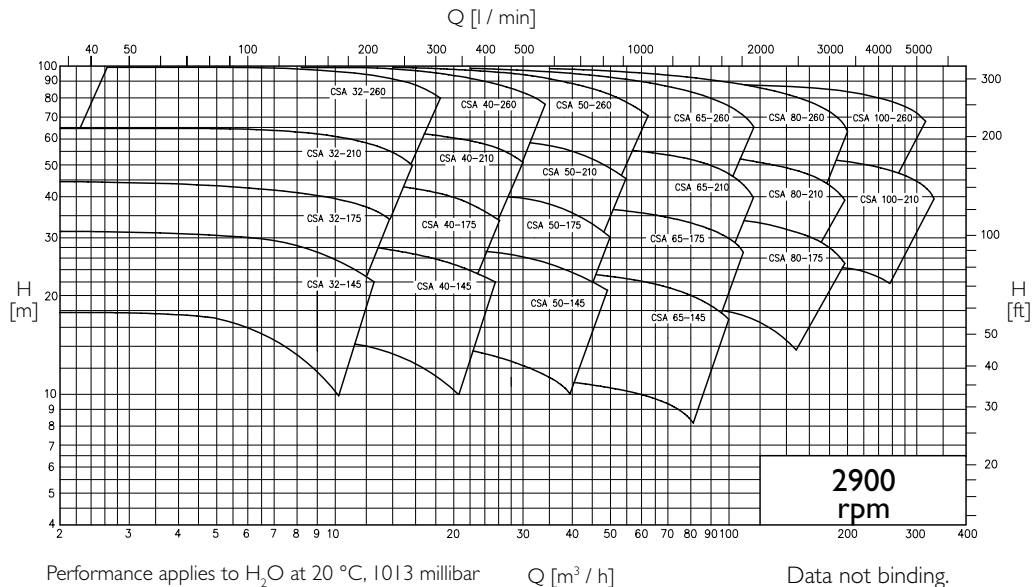
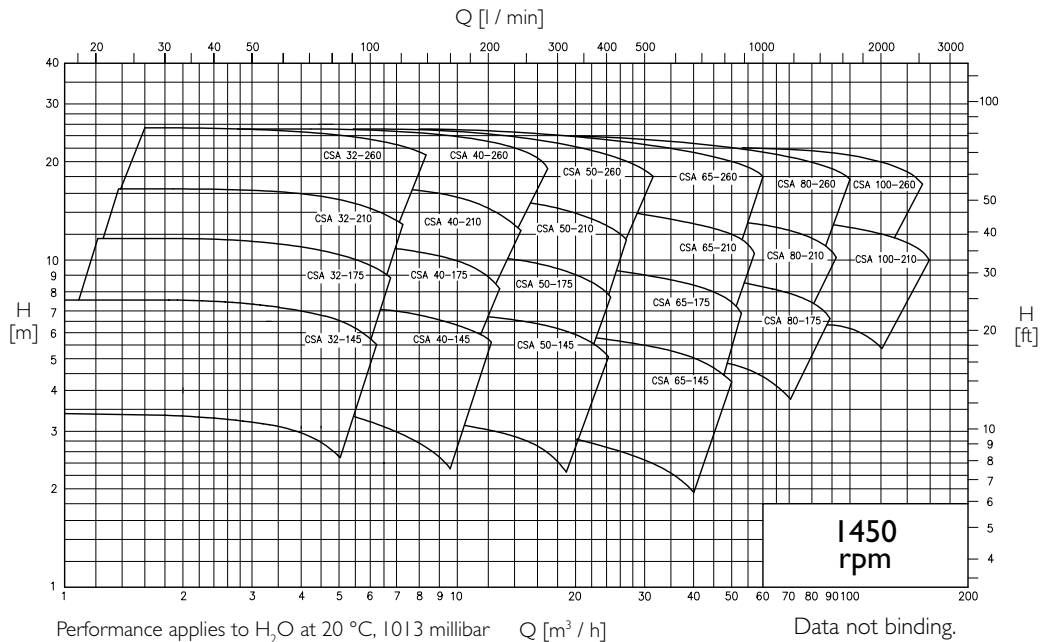
### Elastomers (certified to FDA - 3A - USPVI):

EPDM  
 FLUOROCARBON - (FPM *DIN/ISO*), (FKM *ASTM*)  
 P.T.F.E. (FEP)

### Connections:

CLAMP  
 DIN 11864  
 Others on request

## GENERAL DIAGRAMS



# ASH series

Close coupled sanitary self-priming pumps with independent shaft support.

Suitable for motors in compliance with the following standards:  
 IEC 34-1  
 VDE 0530T1  
 NF C51-111  
 BS5000 PART 99  
 NEMA NG1 PART. I



Greased lubricated bearings.  
 Clamp design casing and seal. Easy disassembly, quick inspection, cleaning and maintenance.

### Seals:

Single internal mechanical seal, protected and balanced, with seats according to EN 12756, ISO 3069.

### Elastomers (certified to FDA - 3A - USP VI):

EPDM  
 FLUOROCARBON - (FPM *DIN/ISO*), (FKM *ASTM*)  
 P.T.F.E. (FEP)

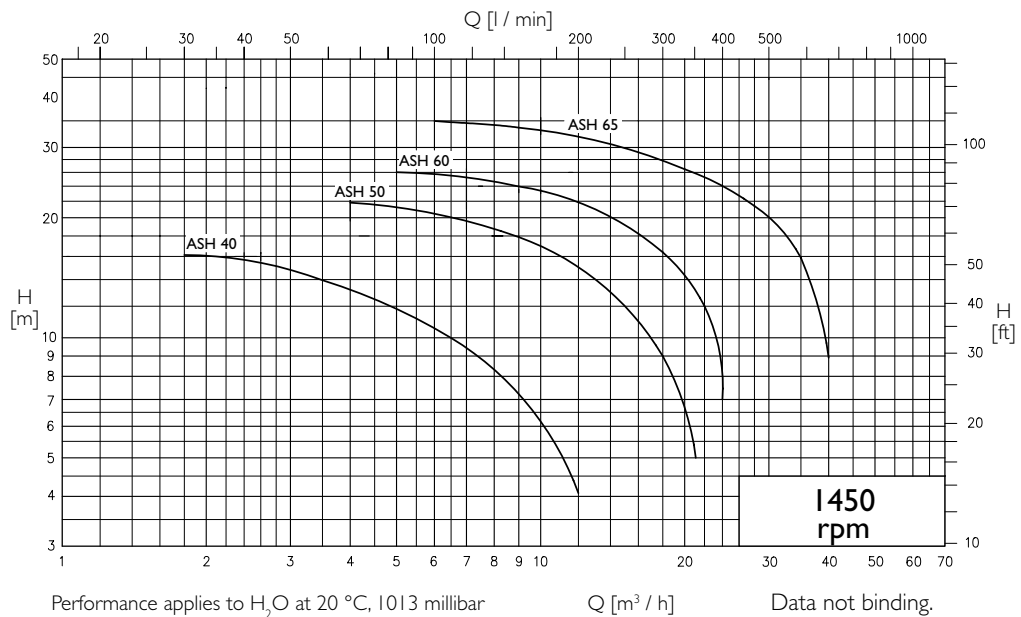
### Connections:

CLAMP  
 DIN 11864  
 Others on request

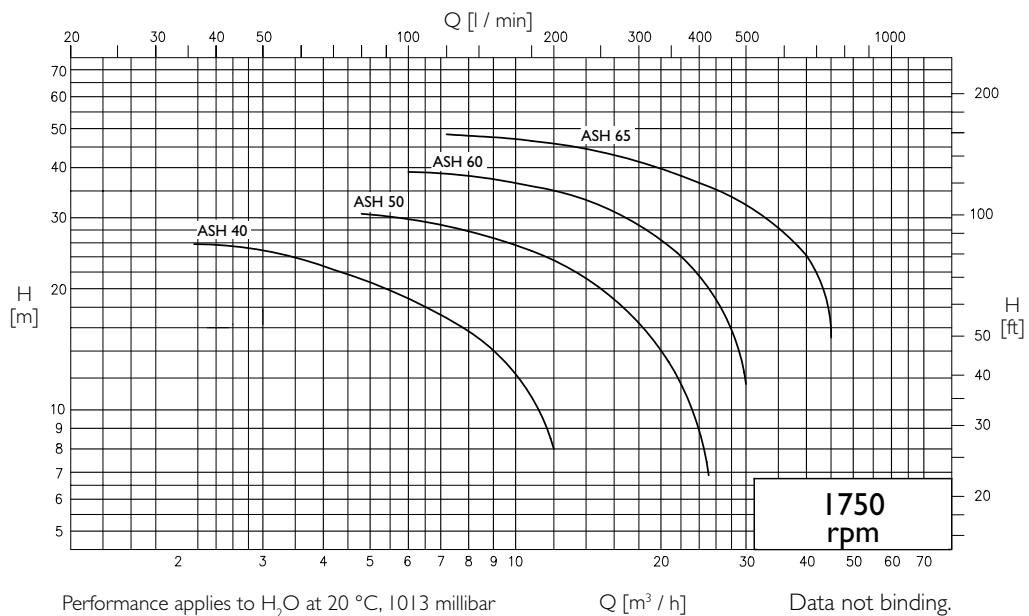


## GENERAL DIAGRAMS

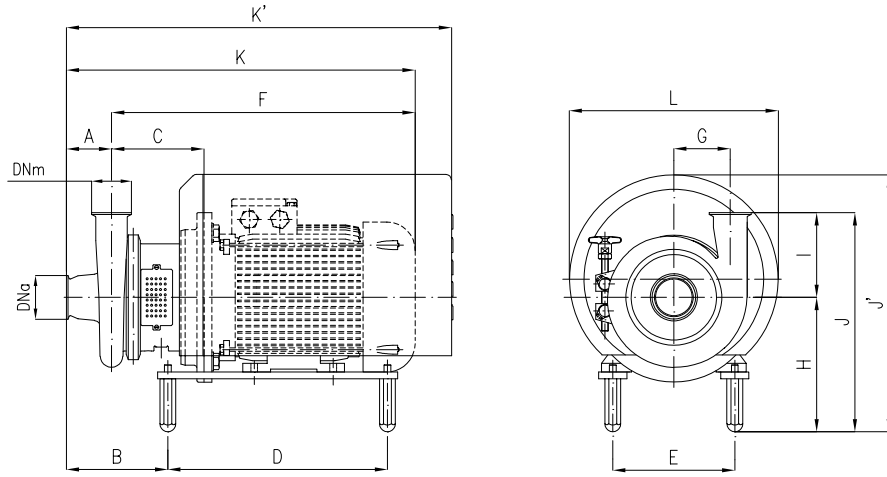
**A 50 Hz**



**A 60 Hz**



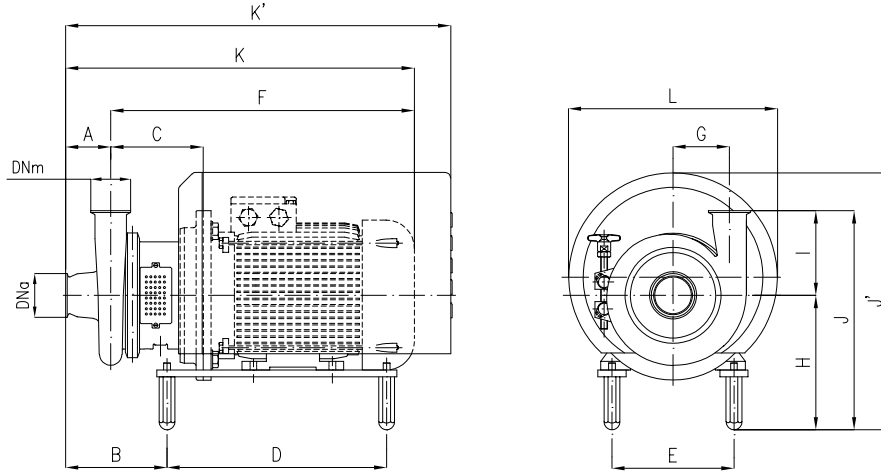
## CSA OVERALL DIMENSIONS



Dimensions not binding - DN = "Clamp" ISO 2852 connections, with standard IEC/EN motors

| Pumps      | IEC motors size: | DNa    | DNm    | A   | B   | C   | D   | E   | F   | G   | H   | K   | K'   | I   | J   | J'  | L   |
|------------|------------------|--------|--------|-----|-----|-----|-----|-----|-----|-----|-----|-----|------|-----|-----|-----|-----|
| CSA 32-145 | 80               | 1 1/2" | 1 1/2" | 80  | 166 | 138 | 254 | 125 | 372 | 85  | 220 | 452 | 566  | 148 | 368 | 384 | 298 |
|            | 90               |        |        |     | 172 |     |     | 140 | 419 |     | 230 | 499 |      |     | 378 | 394 |     |
|            | 100              |        |        |     | 165 | 139 | 314 | 160 | 451 |     | 240 | 531 | 637  |     | 388 | 445 | 330 |
|            | 112              |        |        |     |     |     |     | 190 | 473 |     | 230 | 553 |      |     | 378 | 435 |     |
| CSA 32-175 | 80               | 1 1/2" | 1 1/2" | 80  | 167 | 139 | 254 | 125 | 373 | 95  | 220 | 453 | 567  | 148 | 368 | 384 | 298 |
|            | 90               |        |        |     | 173 |     |     | 140 | 420 |     | 230 | 500 |      |     | 378 | 394 |     |
|            | 100              |        |        |     | 159 | 140 | 314 | 160 | 452 |     | 240 | 532 | 637  |     | 388 | 445 | 330 |
|            | 112              |        |        |     |     |     |     | 190 | 473 |     | 230 | 553 |      |     | 378 | 435 |     |
| CSA 32-210 | 80               | 1 1/2" | 1 1/2" | 80  | 167 | 139 | 254 | 125 | 373 | 110 | 230 | 453 | 567  | 168 | 398 | 402 | 298 |
|            | 90               |        |        |     | 173 |     |     | 140 | 420 |     | 240 | 532 |      |     | 398 | 435 |     |
|            | 100              |        |        |     | 159 | 140 | 314 | 160 | 452 |     | 240 | 532 | 637  |     | 408 | 445 | 330 |
|            | 112              |        |        |     |     |     |     | 190 | 473 |     | 230 | 553 |      |     | 398 | 435 |     |
|            | 132 S            |        |        |     | 177 | 161 | 389 | 216 | 534 |     | 255 | 614 | 680  |     | 423 | 477 | 370 |
|            | 132 M            |        |        |     |     |     |     | 578 | 280 |     | 764 | 935 |      |     | 448 | 543 |     |
| CSA 32-260 | 160              | 2"     | 1 1/2" | 90  | 241 | 206 | 460 | 254 | 684 | 140 | 260 | 534 | 601  | 168 | 428 | 465 | 330 |
|            | 90               |        |        |     | 207 | 163 | 254 | 140 | 444 |     |     | 566 | 671  |     |     | 448 |     |
|            | 100              |        |        |     | 193 | 164 | 314 | 160 | 476 |     | 260 | 587 | 671  |     | 448 | 543 | 430 |
|            | 112              |        |        |     |     |     |     | 190 | 497 |     |     | 648 |      |     | 714 | 482 |     |
|            | 132 S            |        |        |     | 211 | 185 | 389 | 216 | 558 |     | 280 | 793 | 967  |     | 448 | 543 | 430 |
|            | 132 M            |        |        |     |     |     |     | 602 | 220 |     |     | 453 |      |     | 567 | 353 |     |
| CSA 40-145 | 80               | 2"     | 2"     | 80  | 167 | 139 | 254 | 125 | 373 | 90  | 220 | 453 | 567  | 133 | 353 | 384 | 298 |
|            | 90               |        |        |     | 173 |     |     | 140 | 420 |     | 230 | 501 |      |     | 363 | 394 |     |
|            | 100              |        |        |     | 159 | 140 | 314 | 160 | 452 |     | 240 | 532 | 637  |     | 373 | 445 | 330 |
|            | 112              |        |        |     |     |     |     | 190 | 473 |     | 230 | 553 |      |     | 363 | 435 |     |
| CSA 40-175 | 80               | 2"     | 2"     | 80  | 168 | 141 | 254 | 125 | 375 | 95  | 220 | 455 | 569  | 150 | 370 | 384 | 298 |
|            | 90               |        |        |     | 175 |     |     | 140 | 422 |     | 230 | 502 |      |     | 380 | 394 |     |
|            | 100              |        |        |     | 161 | 142 | 314 | 160 | 454 |     | 240 | 534 | 639  |     | 390 | 445 | 330 |
|            | 112              |        |        |     |     |     |     | 190 | 475 |     | 230 | 555 |      |     | 380 | 435 |     |
|            | 132 S            |        |        |     | 180 | 164 | 389 | 216 | 537 |     | 255 | 617 | 682  |     | 405 | 477 | 370 |
|            | 132 M            |        |        |     |     |     |     | 581 | 280 |     |     | 766 |      |     | 937 | 430 |     |
| 160        | 243              | 208    | 460    | 254 | 686 | 280 | 766 | 937 | 430 | 543 | 430 |     |      |     |     |     |     |
| CSA 40-210 | 80               | 2"     | 2"     | 80  | 168 | 141 | 254 | 125 | 375 | 115 | 235 | 455 | 569  | 160 | 395 | 399 | 298 |
|            | 90               |        |        |     | 175 |     |     | 140 | 422 |     |     | 240 |      |     | 534 | 395 |     |
|            | 100              |        |        |     | 161 | 142 | 314 | 160 | 454 |     | 240 | 534 | 639  |     | 400 | 445 | 330 |
|            | 112              |        |        |     |     |     |     | 190 | 475 |     | 235 | 555 |      |     | 395 | 440 |     |
|            | 132 S            |        |        |     | 180 | 164 | 389 | 216 | 537 |     | 250 | 617 | 682  |     | 410 | 472 | 370 |
|            | 132 M            |        |        |     |     |     |     | 581 | 280 |     |     | 766 |      |     | 937 | 440 |     |
| 160        | 243              | 208    | 460    | 254 | 686 | 280 | 766 | 937 | 440 | 543 | 430 |     |      |     |     |     |     |
| CSA 40-260 | 90               | 2"     | 2"     | 100 | 217 | 163 | 254 | 140 | 444 | 145 | 260 | 544 | 611  | 172 | 432 | 440 | 298 |
|            | 100              |        |        |     | 203 | 164 | 314 | 160 | 476 |     |     | 576 | 681  |     |     | 440 |     |
|            | 112              |        |        |     | 210 |     |     | 190 | 497 |     | 658 | 724 | 779  |     | 465 | 330 |     |
|            | 132 S            |        |        |     | 221 | 185 | 389 | 216 | 558 |     | 702 | 779 |      |     | 482 | 370 |     |
|            | 132 M            |        |        |     |     |     |     | 602 | 280 |     | 803 | 978 | 452  |     |     | 502 | 430 |
|            | 160              |        |        |     | 280 | 225 | 460 | 254 | 703 |     | 305 | 885 | 1094 |     | 477 | 637 | 420 |
| 180        | 195              | 600    | 279    | 785 | 220 | 454 | 569 | 359 | 384 | 298 |     |     |      |     |     |     |     |
| CSA 50-145 | 80               | 2 1/2" | 2"     | 80  | 169 | 141 | 254 | 125 | 374 | 95  | 220 | 454 | 569  | 139 | 359 | 384 | 298 |
|            | 90               |        |        |     | 175 |     |     | 140 | 422 |     | 230 | 502 |      |     | 369 | 394 |     |
|            | 100              |        |        |     | 161 | 142 | 314 | 160 | 454 |     | 240 | 534 | 639  |     | 379 | 445 | 330 |
|            | 112              |        |        |     |     |     |     | 190 | 475 |     | 230 | 555 |      |     | 369 | 435 |     |
|            | 132 S            |        |        |     | 180 | 164 | 389 | 216 | 537 |     | 255 | 617 | 682  |     | 394 | 477 | 370 |
|            | 160              |        |        |     |     |     |     | 243 | 208 |     |     | 460 |      |     | 254 | 686 |     |
| CSA 50-175 | 80               | 2 1/2" | 2"     | 80  | 169 | 141 | 254 | 125 | 374 | 100 | 230 | 454 | 569  | 154 | 384 | 394 | 298 |
|            | 90               |        |        |     | 175 |     |     | 140 | 422 |     |     | 240 |      |     | 534 | 394 |     |
|            | 100              |        |        |     | 161 | 142 | 314 | 160 | 454 |     | 240 | 534 | 639  |     | 384 | 435 | 330 |
|            | 112              |        |        |     |     |     |     | 190 | 475 |     | 230 | 555 |      |     | 384 | 435 |     |
|            | 132 S            |        |        |     | 180 | 164 | 389 | 216 | 537 |     | 255 | 616 | 682  |     | 409 | 477 | 370 |
|            | 132 M            |        |        |     |     |     |     | 581 | 280 |     |     | 766 |      |     | 937 | 434 |     |
| 160        | 243              | 208    | 460    | 254 | 686 | 280 | 766 | 937 | 434 | 543 | 430 |     |      |     |     |     |     |

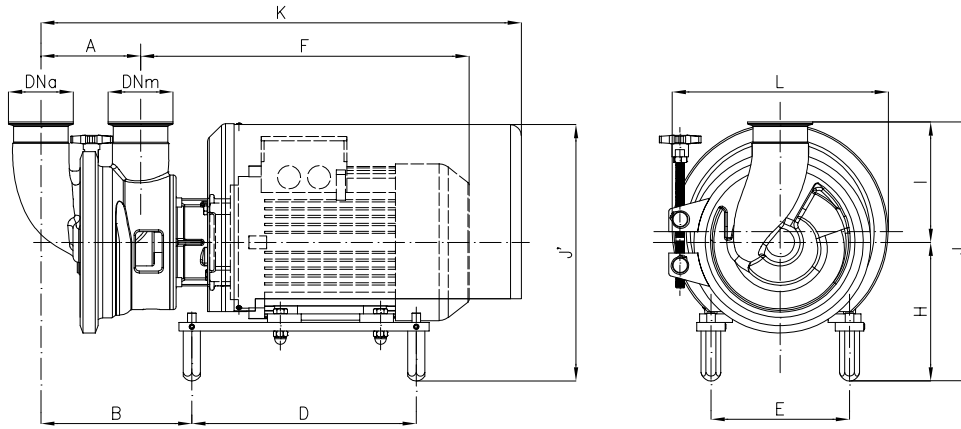
## CSA OVERALL DIMENSIONS



Dimensions not binding - DN = "Clamp" ISO 2852 connections, with standard IEC/EN motors

| Pumps       | IEC motors size: | DNa    | DNm | A   | B   | C   | D   | E    | F   | G   | H   | K   | K'   | I   | J   | J'   | L   |      |     |
|-------------|------------------|--------|-----|-----|-----|-----|-----|------|-----|-----|-----|-----|------|-----|-----|------|-----|------|-----|
| CSA 50-210  | 90               | 2" 1/2 | 2"  | 80  | 175 | 141 | 254 | 140  | 422 | 120 | 240 | 502 | 569  | 168 | 408 | 412  | 298 |      |     |
|             | 100              |        |     |     | 161 | 142 | 314 | 160  | 454 |     |     | 534 | 639  |     |     | 445  | 330 |      |     |
|             | 112              |        |     |     | 168 |     |     | 190  | 475 |     |     | 555 |      |     |     |      |     |      |     |
|             | 132 S            |        |     |     | 180 | 164 | 389 | 216  | 537 |     |     | 617 | 682  |     |     | 418  | 472 | 370  |     |
|             | 132 M            |        |     |     |     |     |     |      | 581 |     |     | 661 | 737  |     |     |      |     |      |     |
|             | 160              |        |     |     | 243 | 208 | 460 | 254  | 686 |     |     | 280 | 766  |     |     | 937  | 448 | 543  | 430 |
| 180         | 173              | 223    | 600 | 279 | 783 | 305 | 863 | 1072 | 473 | 637 | 420 |     |      |     |     |      |     |      |     |
| CSA 50-260  | 100              | 2" 1/2 | 2"  | 90  | 194 | 165 | 314 | 160  | 477 | 145 | 270 | 567 | 672  | 179 | 449 | 475  | 330 |      |     |
|             | 112              |        |     |     | 201 |     |     | 190  | 498 |     |     | 588 |      |     |     |      |     |      |     |
|             | 160              |        |     |     | 273 | 254 | 706 | 796  | 970 |     |     | 459 | 543  |     |     |      |     | 430  |     |
|             | 180              |        |     |     | 188 | 228 | 600 | 279  | 788 |     |     | 305 | 878  |     |     |      |     | 1087 | 484 |
| CSA 65-145  | 80               | 3"     | 3"  | 79  | 172 | 145 | 254 | 125  | 379 | 112 | 245 | 458 | 572  | 138 | 383 | 409  | 298 |      |     |
|             | 90               |        |     |     | 178 |     |     | 140  | 426 |     |     | 505 |      |     |     |      |     |      |     |
|             | 100              |        |     |     | 164 | 146 | 314 | 160  | 458 |     |     | 537 | 642  |     |     | 393  | 477 | 370  |     |
|             | 112              |        |     |     | 171 |     |     | 190  | 479 |     |     | 558 |      |     |     |      |     |      |     |
|             | 132 S            |        |     |     | 183 | 168 | 389 | 216  | 541 |     |     | 255 | 620  |     |     | 685  | 418 | 543  | 430 |
|             | 132 M            |        |     |     |     |     |     |      | 585 |     |     |     | 664  |     |     | 740  |     |      |     |
| 160         | 246              | 212    | 460 | 254 | 690 | 280 | 769 | 940  | 418 | 543 | 430 |     |      |     |     |      |     |      |     |
| CSA 65-175  | 90               | 3"     | 3"  | 80  | 178 | 144 | 254 | 140  | 425 | 120 | 255 | 505 | 572  | 138 | 393 | 409  | 298 |      |     |
|             | 100              |        |     |     | 164 | 145 | 314 | 160  | 457 |     |     | 537 | 642  |     |     |      |     | 477  | 370 |
|             | 112              |        |     |     | 171 |     |     | 190  | 478 |     |     | 558 |      |     |     |      |     |      |     |
|             | 132 S            |        |     |     | 183 | 167 | 389 | 216  | 540 |     |     | 280 | 769  |     |     | 940  | 418 | 543  | 430 |
|             | 132 M            |        |     |     |     |     |     |      | 584 |     |     |     | 664  |     |     | 740  |     |      |     |
|             | 160              |        |     |     | 246 | 211 | 460 | 254  | 689 |     |     | 305 | 864  |     |     | 1073 | 443 | 637  | 420 |
| 180         | 174              | 224    | 600 | 279 | 784 |     |     |      |     |     |     |     |      |     |     |      |     |      |     |
| CSA 65-210  | 90               | 3"     | 3"  | 90  | 212 | 168 | 254 | 140  | 449 | 135 | 265 | 539 | 605  | 158 | 423 | 470  | 330 |      |     |
|             | 100              |        |     |     | 198 | 169 | 314 | 160  | 481 |     |     | 571 | 676  |     |     |      |     | 438  | 543 |
|             | 112              |        |     |     | 205 |     |     | 190  | 502 |     |     | 592 |      |     |     |      |     |      |     |
|             | 160              |        |     |     | 276 | 460 | 254 | 709  | 280 |     |     | 799 | 974  |     |     | 463  | 637 | 420  |     |
|             | 180              |        |     |     | 191 | 231 | 600 | 279  | 791 |     |     | 305 | 881  |     |     | 1090 | 463 | 637  | 420 |
| CSA 65-260  | 100              | 3"     | 3"  | 100 | 207 | 168 | 314 | 160  | 480 | 155 | 285 | 580 | 685  | 193 | 478 | 507  | 370 |      |     |
|             | 112              |        |     |     | 214 |     |     | 190  | 501 |     |     | 601 |      |     |     |      |     |      |     |
|             | 132 S            |        |     |     | 226 | 190 | 389 | 216  | 563 |     |     | 285 | 663  |     |     | 728  | 498 | 637  | 420 |
|             | 132 M            |        |     |     |     |     |     |      | 607 |     |     |     | 707  |     |     | 783  |     |      |     |
|             | 160              |        |     |     | 285 | 230 | 460 | 254  | 708 |     |     | 305 | 808  |     |     | 983  | 548 | 430  |     |
|             | 180              |        |     |     | 200 | 230 | 600 | 279  | 790 |     |     |     | 890  |     |     | 1099 | 498 | 637  | 420 |
| CSA 80-175  | 100              | 4"     | 3"  | 100 | 231 | 174 | 315 | 160  | 486 | 139 | 275 | 586 | 691  | 164 | 439 | 480  | 330 |      |     |
|             | 112              |        |     |     | 220 |     |     | 190  | 507 |     |     | 607 |      |     |     |      |     |      |     |
|             | 132 S            |        |     |     | 231 | 195 | 389 | 216  | 568 |     |     | 275 | 668  |     |     | 734  | 444 | 543  | 430 |
|             | 160              |        |     |     | 291 | 236 | 460 | 254  | 714 |     |     | 280 | 814  |     |     | 989  |     |      |     |
|             | 180              |        |     |     | 206 | 236 | 600 | 279  | 796 |     |     | 305 | 896  |     |     | 1105 | 469 | 637  | 420 |
| CSA 80-210  | 100              | 4"     | 3"  | 100 | 210 | 171 | 314 | 160  | 483 | 145 | 285 | 583 | 688  | 164 | 449 | 490  | 330 |      |     |
|             | 112              |        |     |     | 217 |     |     | 190  | 504 |     |     | 604 |      |     |     |      |     |      |     |
|             | 132 S            |        |     |     | 229 | 193 | 389 | 216  | 566 |     |     | 285 | 666  |     |     | 731  | 469 | 637  | 420 |
|             | 160              |        |     |     | 288 | 233 | 460 | 254  | 711 |     |     |     | 811  |     |     | 986  |     |      |     |
|             | 180              |        |     |     | 203 | 233 | 600 | 279  | 793 |     |     | 305 | 893  |     |     | 1102 | 469 | 637  | 420 |
| CSA 80-260  | 100              | 4"     | 3"  | 100 | 210 | 171 | 314 | 160  | 483 | 165 | 300 | 583 | 688  | 209 | 509 | 505  | 330 |      |     |
|             | 112              |        |     |     | 217 |     |     | 190  | 504 |     |     | 604 |      |     |     |      |     |      |     |
|             | 132 S            |        |     |     | 229 | 193 | 389 | 216  | 566 |     |     | 300 | 666  |     |     | 731  | 522 | 370  |     |
|             | 132 M            |        |     |     |     |     |     |      | 610 |     |     |     | 710  |     |     | 786  |     |      |     |
| 160         | 288              | 233    | 460 | 254 | 711 |     | 811 | 986  | 563 | 430 |     |     |      |     |     |      |     |      |     |
| CSA 100-210 | 100              | 5"     | 4"  | 111 | 246 | 200 | 389 | 216  | 573 | 161 | 305 | 683 | 750  | 214 | 519 | 527  | 370 |      |     |
|             | 132 S            |        |     |     | 221 | 240 | 600 | 279  | 800 |     |     | 911 | 1120 |     |     |      |     | 634  | 420 |
|             | 180              |        |     |     | 246 | 195 | 389 | 216  | 612 |     |     |     | 727  |     |     | 803  | 547 | 370  |     |
| CSA 100-260 | 160              | 5"     | 4"  | 115 | 305 | 235 | 600 | 254  | 713 | 186 | 325 | 828 | 1004 | 216 | 541 | 588  | 430 |      |     |
|             | 132 M            |        |     |     | 246 |     |     | 195  | 389 |     |     | 216 | 612  |     |     |      |     |      | 727 |
|             | 180              |        |     |     | 305 | 235 | 600 | 279  | 795 |     |     |     | 910  |     |     | 1118 | 657 | 420  |     |

## ASH OVERALL DIMENSIONS



Dimensions not binding - DN = "Clamp" ISO 2852 connections, with standard IEC/EN motors

| Pumps  | 1450 r.p.m. | kW  | DNa    | DNm    | A     | B   | D   | E   | F   | H   | K   | I   | J   | J'  | L   |
|--------|-------------|-----|--------|--------|-------|-----|-----|-----|-----|-----|-----|-----|-----|-----|-----|
| ASH 40 |             | 1,1 | 1" 1/2 | 1" 1/2 | 90,5  | 183 | 245 | 140 | 410 | 207 | 551 | 139 | 346 | 354 | 239 |
|        | 1,5         |     |        |        |       |     |     |     |     |     |     |     |     |     |     |
|        | 2,2         |     |        |        |       |     |     |     |     |     |     |     |     |     |     |
| ASH 50 | 2,2         | 2"  | 2"     | 118    | 176,5 | 314 | 160 | 432 | 217 | 617 | 149 | 366 | 422 | 330 |     |
|        | 4           |     |        |        |       |     |     |     |     |     |     |     |     |     |     |
|        | 183,5       |     |        |        |       |     |     |     |     |     |     |     |     |     |     |
| ASH 60 | 4           | 3"  | 3"     | 139    | 211   | 314 | 190 | 460 | 229 | 672 | 169 | 398 | 434 | 330 |     |
|        | 5,5         |     |        |        |       |     |     |     |     |     |     |     |     |     |     |
|        | 215         |     |        |        |       |     |     |     |     |     |     |     |     |     |     |
| ASH 65 | 5,5         | 3"  | 3"     | 139    | 215   | 390 | 216 | 512 | 249 | 749 | 169 | 418 | 472 | 372 |     |
|        | 7,5         |     |        |        |       |     |     |     |     |     |     |     |     |     |     |
|        | 15          |     |        |        |       |     |     |     |     |     |     |     |     |     |     |
|        |             |     |        |        | 266   | 460 | 254 | 650 | 280 | 914 |     | 449 | 544 | 432 |     |



**C.S.F. Inox S.p.A.** Strada per Bibbiano, 7 - 42027 Montecchio E. (RE) - ITALY EU  
 Ph +39.0522.869911 ra. - Fx +39.0522.865454 / 866758 - csfitalia@csf.it - www.csf.it

**Export Department • Commercial Étranger • Comercial Extranjero**  
 Ph +39.0522.869922 - Fx +39.0522.869841 - csfexport@csf.it - www.csf.it

All the instructions, data and representations (in whatever way executed) listed in this publication are indicative and do not binding. C.S.F. does not stand surety or undertake any obligation for the utilisation of this document and for the information contained. In particular, it does not guarantee against omissions or errors of the data and drawings here indicated.  
 Notice that the technical specifications, information and representations in this document are merely indicative and approximate. C.S.F. INOX reserves the right at any moment and without notice to modify the data, drawings and information indicated in this document.